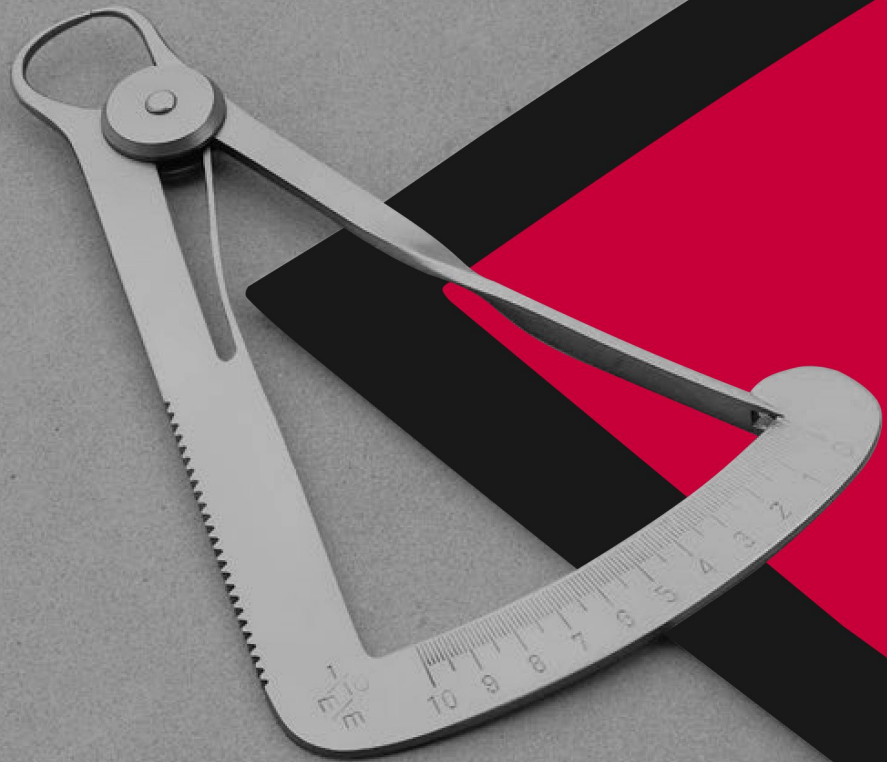


SHIELD YOUR WORTHY HEARING

• WHEN
NOTHING
ACTS ON ITS
FINEST



CALIPERS +



An Era Of **evolution**

Bonadent

HAS THE REPUTATION OF BEING THE ONLY IN PAKISTAN THAT MANUFACTURES ITS OWN TOOLS FOR THE PRODUCTION OF ITS INSTRUMENTS.

Bonadent is a privately owned company providing personalized services and the finest in Surgical Instruments for over 25 years. Established in 1999, Our Company manufactures a wide range of Surgical, Dental and Veterinary Instruments.

All Instruments and devices of our product range are manufactured by well-trained and experienced skilled workers with special craftsmanship and by use of most modern machines and equipment. On this occasion we only use materials which meet our high standards. The CEO of Bonadent Manufacturing co, Mr. Muhammad Ibrahim brings with him a lifetime of knowledge about the world of surgical instruments.

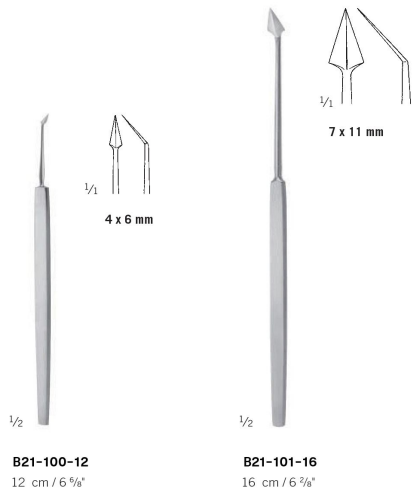
This insight allows us to understand the needs of our customers in a way most other instrument companies are unable to do.

After becoming a competent oem service provider, cardiac has decided to introduce itself as the original source of high quality instrumentation to directly interact with some of the well-known brands around the world.

Trowel Knives
 Kellenmesser
 Cuchillos de paleta
 Couteaux de truelle
 Coltelli di cazzuola



21



01



21

Calipers
 Messzirkel
 Compases
 Compas
 Compassi



02

Probes
Sonden
Sondas
Sondes
Sonde



21

Ag



1/1

Bowman
B21-107-00
B21-107-88
13 cm / 5 1/8"

	Fig.
B21-107-00	0 / 0
B21-107-11	1 / 1
B21-107-22	2 / 2
B21-107-33	3 / 3
B21-107-44	4 / 4
B21-107-55	5 / 5
B21-107-66	6 / 6
B21-107-77	7 / 7
B21-107-88	8 / 8



1/1

Bowman
B21-108-99
B21-108-78
13 cm / 5 1/8"

	Fig.
B21-108-99	0000 / 0000
B21-108-00	00 / 0
B21-108-01	0 / 1
B21-108-12	1 / 2
B21-108-23	2 / 3
B21-108-34	3 / 4
B21-108-45	4 / 5
B21-108-56	5 / 6
B21-108-67	6 / 7
B21-108-78	7 / 8



1/1

Bowman
B21-109-00
B21-109-78
13 cm / 5 1/8"

	Fig.
B21-109-00	00 / 0
B21-109-01	0 / 1
B21-109-12	1 / 2
B21-109-23	2 / 3
B21-109-34	3 / 4
B21-109-45	4 / 5
B21-109-56	5 / 6
B21-109-67	6 / 7
B21-109-78	7 / 8

no one does it **BETTER**

Cell: 0092 323 9300123

Tel: 0092 52 3563378

URL: <https://bona-dent.com>

Email: info@bona-dent.com

Email: bonadent.mfg@gmail.com

Address:

Kacha Shahab Pura Road
Jeewan Pura, Sialkot (51310)
Pakistan.



03

www.bona-dent.com